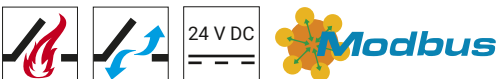


CDM-1000-0600-5-ACB S1



Performance features

- + Can be used for openings for smoke exhaust; D+H Euro SHEV in accordance with EN 12101-2; and for daily ventilation
- + With BSY+ motor and synchronised electronics controlled via microprocessor
- + Option of up to 4 drives in one synchronous group
- + High-speed function (HS) for especially fast opening windows in case of fire (SHEV)
- + Low running noises thanks to the innovative acoustic decoupling of the drive components
- + Direct control via 230 V AC
- + Special chain stabilisation and centred chain outlet
- + Compact design thanks to triple deflection of the chain
- + Use of a highly efficient, wear-free brushless motor
- + Relief of pressure on window gasket after closing process
- + Programmable drive functions and different drive parameters
- + Integrated ACB (Advanced Communication Bus) bus interface with Modbus RTU protocol
- + The drive is integrated directly via open bus communication through the ACB (Advanced Communication Bus), e.g. in a building management system

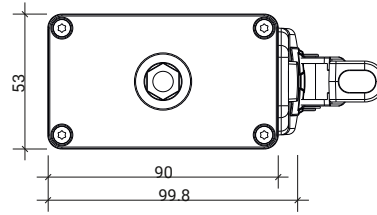
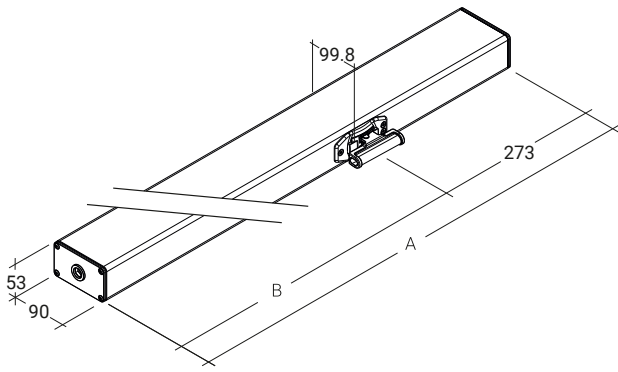
Technical data

CDM-1000-0600-5-ACB S1

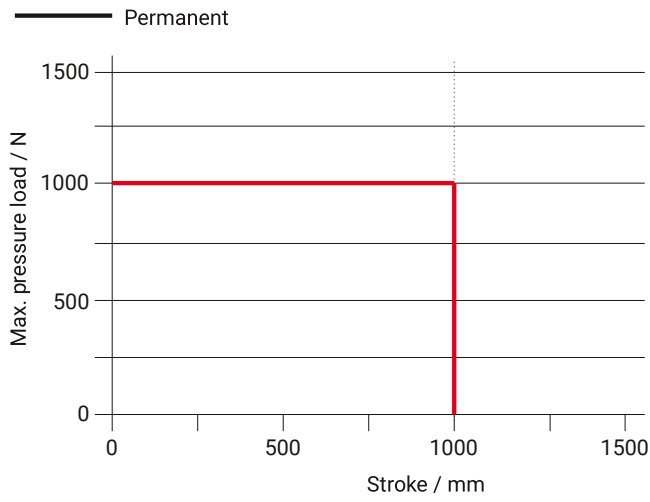
| | |
|--------------------------------------|---|
| Supply | 120 ... 230 V AC / +10 % ... -10 % / 50 ... 60 Hz |
| Performance | 80 W / 85 VA |
| Duty cycle | 30 % (ON: 3 min. / OFF: 7 min.) |
| Force of pressure | 1000 N |
| Tensile force | 1000 N |
| Nominal locking force | 3500 N |
| Service life | > 20000 double strokes |
| Stroke | 600 mm |
| OPEN running speed | 7 mm/s |
| OPEN running speed - SHEV | 11.5 mm/s |
| CLOSED running speed | 5 mm/s |
| Type of protection | IP 42 |
| Emission sound pressure level | LpA ≤ 45 dB(A) |
| Temperature range | -15 °C ... +75 °C |
| Fire resistance | B300 (30 min / 300 °C) |
| Housing | Aluminium |
| Surface | Powder-coated |
| Colour | White aluminium (~ RAL 9006) |
| Connection | Silicone cable (must be ordered separately) |
| Dimension A | 608 mm |
| Dimension B | 335 mm |
| W x H x D | 608 x 53 x 90 mm |
| Weight | 5 kg |
| Art. No. | 26.202.13 |

Dimensions

All specifications in mm



Pressure load diagram



Possible applications

- + Mounted installation
- + Application force
- + Frame mounting
- + Application tension

