

# VCD 204/350 (SR)



## Performance features

- + For façade windows, roof windows and ventilation flaps in conservatories
- + With motor electronics controlled via microprocessor
- + Special chain stabilisation and centred chain outlet
- + "TMS+" tandem safety function for operating 2 drives on one sash
- + Option of chain stroke programming via magnet
- + Reprogrammed opening stroke is transmitted to the tandem drive
- + Simple connection via plug connector
- + Programmable drive functions and different drive parameters
- + Running speed in CLOSED direction decreases to 5 mm/s (passive closing edge protection)
- + Time-controlled reversing when an obstacle is detected in the CLOSED direction (active closing edge protection)

## Approvals / Certificates

Find out about permission details from your D+H Partner.



5014068.22003

Article also available with the following permissions under other article numbers. Technical data may deviate.



# Technical data

## VCD 204/350 (SR)

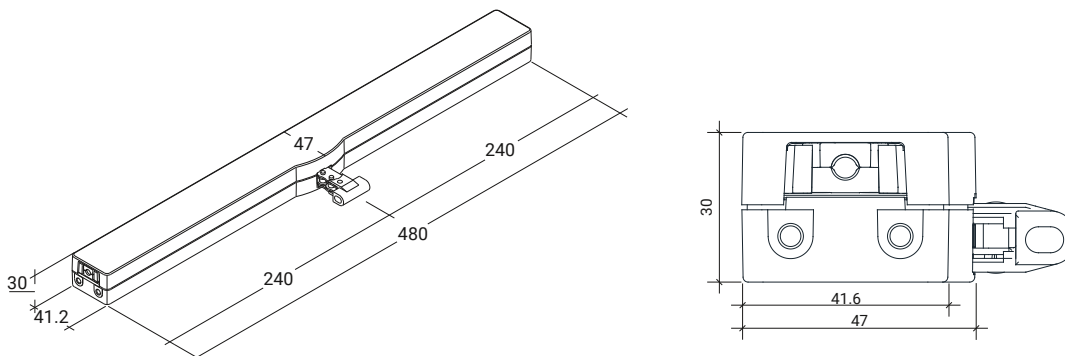
|                                      |                                 |
|--------------------------------------|---------------------------------|
| <b>Supply</b>                        | 24 V DC / $\pm 20\%$ / 0.35 A   |
| <b>Duty cycle</b>                    | 30 % (ON: 3 min. / OFF: 7 min.) |
| <b>Force of pressure</b>             | 200 N                           |
| <b>Tensile force</b>                 | 200 N                           |
| <b>Nominal locking force **</b>      | 2000 N                          |
| <b>Service life</b>                  | 20000 double strokes *          |
| <b>Stroke</b>                        | 350 mm                          |
| <b>OPEN running speed</b>            | 6 mm/s                          |
| <b>CLOSED running speed</b>          | 6 mm/s                          |
| <b>Type of protection</b>            | IP 30                           |
| <b>Emission sound pressure level</b> | LpA $\leq$ 46 dB(A)             |
| <b>Temperature range</b>             | 0 °C ... +60 °C                 |
| <b>Housing</b>                       | Die-cast zinc                   |
| <b>Surface</b>                       | Powder-coated                   |
| <b>Colour</b>                        | Silver (~ RAL 9006)             |
| <b>Connection</b>                    | 2.5 m PVC-cable                 |
| <b>W x H x D</b>                     | 480 x 30 x 47 mm                |
| <b>Weight</b>                        | 1.5 kg                          |
| <b>Art. No.</b>                      | 25.100.10                       |

\* For vertical use, please consult with D+H Sales!

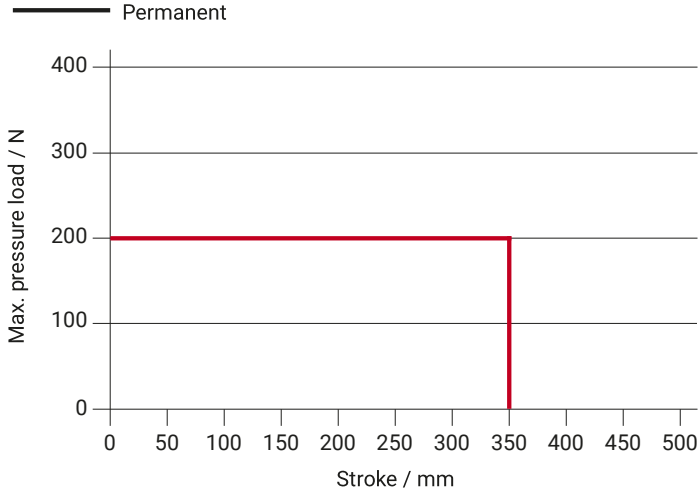
\*\* Depending on the mounting

## Dimensions

All specifications in mm



# Pressure load diagram



# Possible applications

- + Mounted installation
- + Frame mounting
- + Sash mounting
- + Application force
- + Application tension

