

CDM-1000-1000-1-ACB M2



Performance features

- + Can be used for openings for smoke ventilation; D+H Euro SHEV in accordance with EN 12101-2; and for daily natural ventilation
- + With BSY+ motor and synchronised electronics controlled via microprocessor
- + Option of up to 4 drives in one synchronous group
- + High-speed function (HS) for especially fast opening windows in case of fire (SHEV)
- + Low running noises thanks to the innovative acoustic decoupling of the drive components
- + Special chain stabilisation and centred chain outlet
- + Compact design thanks to triple deflection of the chain
- + Use of a highly efficient, wear-free brushless motor
- + Relief of pressure on window gasket after closing process
- + Programmable drive functions and different drive parameters
- + Time-controlled reversing when an obstacle is detected in the CLOSED direction (active closing edge protection)
- + Integrated ACB (Advanced Communication Bus) bus interface with Modbus RTU protocol
- + The drive is integrated directly via open bus communication through the ACB (Advanced Communication Bus), e.g. in a building management system

Approvals / Certificates

Find out about permission details from your D+H Partner.



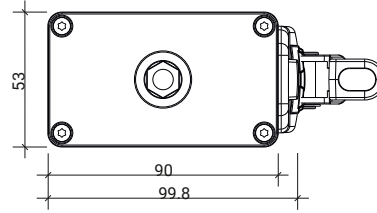
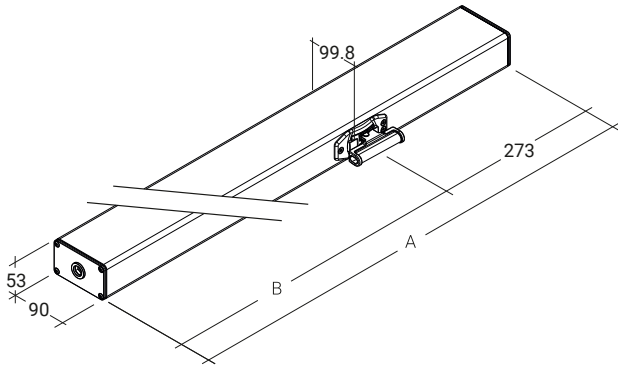
Technical data

CDM-1000-1000-1-ACB M2

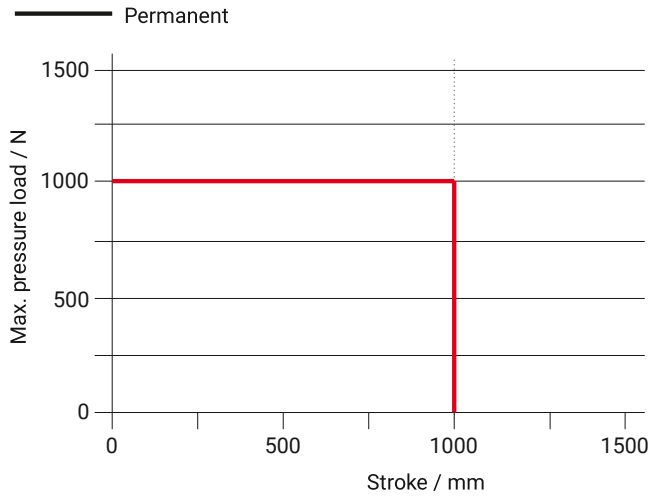
| | |
|--------------------------------------|---|
| Supply | 24 V DC / $\pm 15\%$ / 3 A |
| Duty cycle | 30 % (ON: 3 min. / OFF: 7 min.) |
| Force of pressure | 1000 N |
| Tensile force | 1000 N |
| Nominal locking force | 3500 N |
| Service life | > 20000 double strokes |
| Stroke | 1000 mm |
| OPEN running speed | 7 mm/s |
| OPEN running speed - SHEV | 22.5 mm/s |
| CLOSED running speed | 5 mm/s |
| Type of protection | IP 42 |
| Emission sound pressure level | LpA \leq 45 dB(A) |
| Temperature range | -15 °C ... +75 °C |
| Fire resistance | B300 (30 min / 300 °C) |
| Housing | Aluminium |
| Surface | Powder-coated |
| Colour | White aluminium (~ RAL 9006) |
| Connection | Silicone cable (must be ordered separately) |
| Dimension A | 735 mm |
| Dimension B | 462 mm |
| W x H x D | 735 x 53 x 90 mm |
| Weight | 6.25 kg |
| Art. No. | 26.200.32 |

Dimensions

All specifications in mm



Pressure load diagram



Possible applications

- + Mounted installation
- + Application force
- + Frame mounting
- + Application tension

