

# CDM-1000-0800-1-PLP



## Performance features

- + Can be used for openings for smoke ventilation; D+H Euro SHEV in accordance with EN 12101-2; and for daily natural ventilation
- + With motor electronics controlled via microprocessor
- + High-speed function (HS) for especially fast opening windows in case of fire (SHEV)
- + Low running noises thanks to the innovative acoustic decoupling of the drive components
- + Special chain stabilisation and centred chain outlet
- + Compact design thanks to triple deflection of the chain
- + Use of a highly efficient, wear-free brushless motor
- + Relief of pressure on window gasket after closing process
- + Programmable drive functions and different drive parameters
- + Time-controlled reversing when an obstacle is detected in the CLOSED direction (active closing edge protection)

## Approvals / Certificates

Find out about permission details from your D+H Partner.



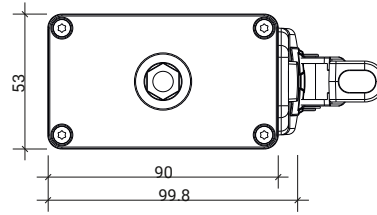
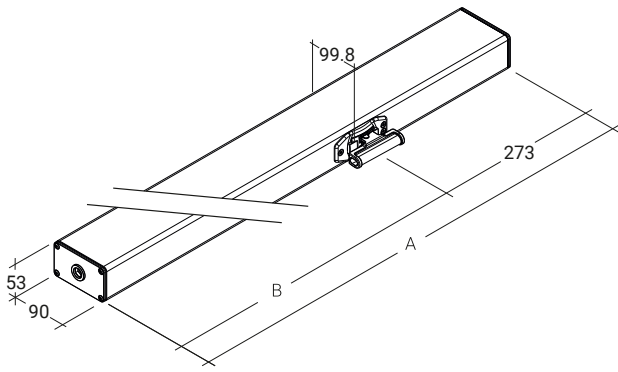
# Technical data

CDM-1000-0800-1-PLP

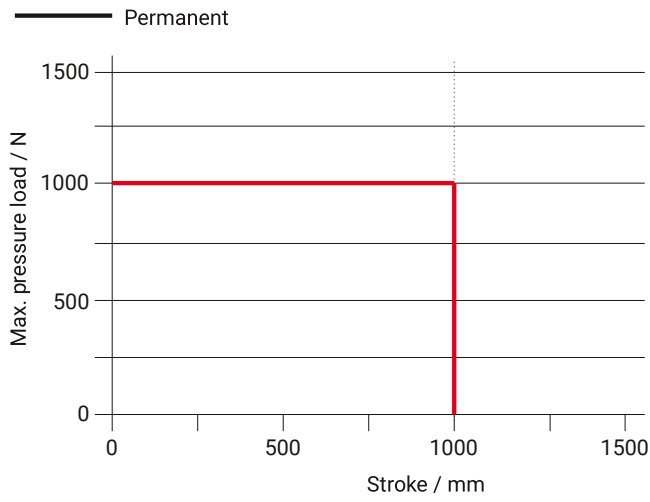
<b>Supply</b>	24 V DC / $\pm 15\%$ / 2.5 A
<b>Duty cycle</b>	30 % (ON: 3 min. / OFF: 7 min.)
<b>Force of pressure</b>	1000 N
<b>Tensile force</b>	1000 N
<b>Nominal locking force</b>	3500 N
<b>Service life</b>	> 20000 double strokes
<b>Stroke</b>	800 mm
<b>OPEN running speed</b>	7 mm/s
<b>OPEN running speed - SHEV</b>	15 mm/s
<b>CLOSED running speed</b>	5 mm/s
<b>Type of protection</b>	IP 42
<b>Emission sound pressure level</b>	LpA $\leq$ 45 dB(A)
<b>Temperature range</b>	-15 °C ... +75 °C
<b>Fire resistance</b>	B300 (30 min / 300 °C)
<b>Housing</b>	Aluminium
<b>Surface</b>	Powder-coated
<b>Colour</b>	White aluminium (~ RAL 9006)
<b>Connection</b>	Silicone cable (must be ordered separately)
<b>Dimension A</b>	671 mm
<b>Dimension B</b>	398 mm
<b>W x H x D</b>	671 x 53 x 90 mm
<b>Weight</b>	5.55 kg
<b>Remark</b>	Variable equipment possible
<b>Art. No.</b>	26.201.08

# Dimensions

All specifications in mm



# Pressure load diagram



# Possible applications

- + Mounted installation
- + Application force
- + Frame mounting
- + Application tension

